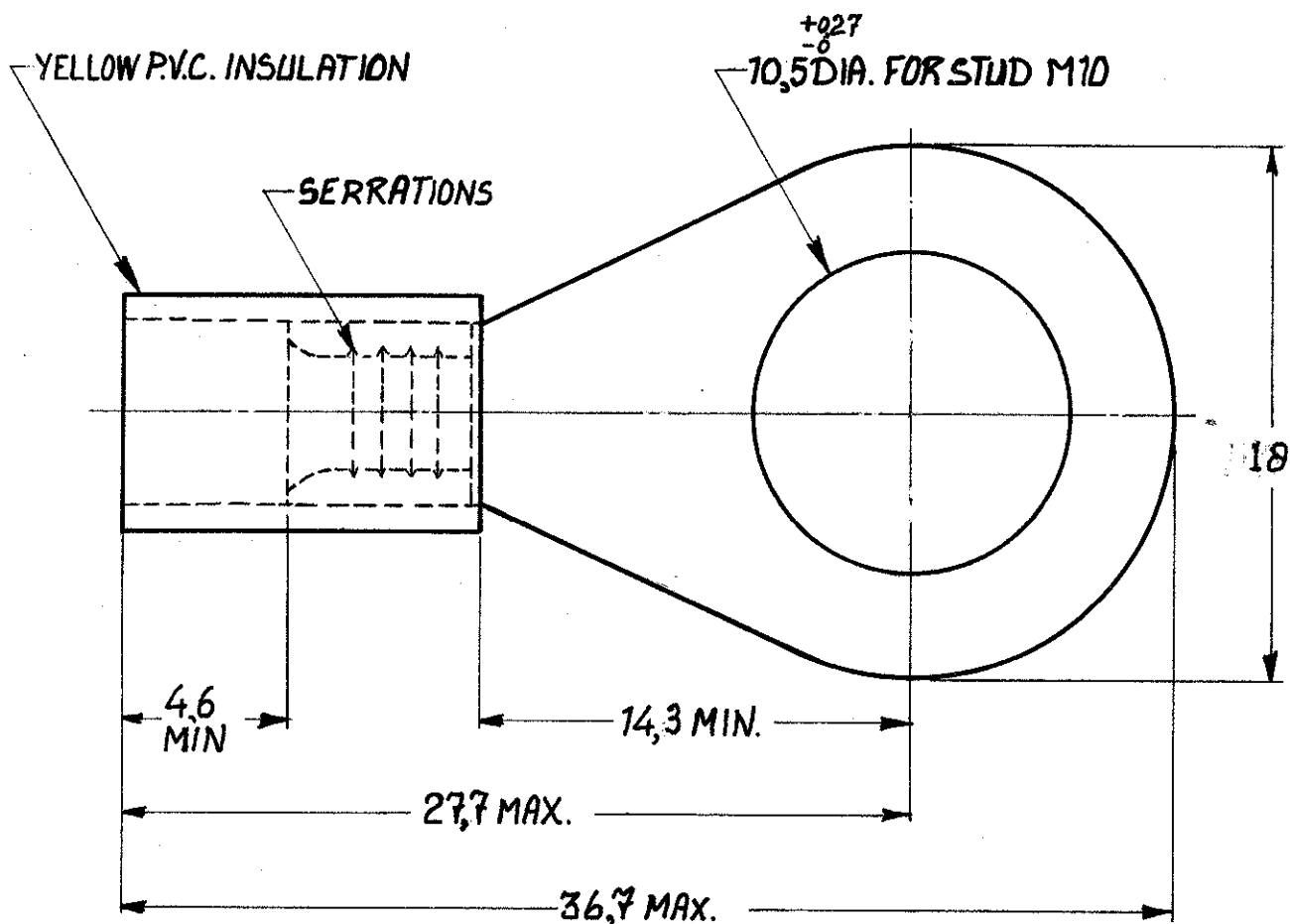


NUMBER C-165416-E



TONGUE MATERIAL THICKNESS: 10

**CUSTOMER COPY FOR REFERENCE ONLY**

©1970 BY AMP-HOLLAND N.V. ALL RIGHTS RESERVED A-MP PRODUCTS COVERED BY PATENTS AND/OR PATENTS PENDING.



AMP-HOLLAND N.V.  
's-HERTOGENBOSCH  
HOLLAND

165416	COPPER	TIN
--------	--------	-----

WIRE-RANGE 4-6 mm <sup>2</sup>	INSUL.-RANGE 5,6 DIA. MAX.	TYPE DIN PLASTI-GRIP
-----------------------------------	-------------------------------	----------------------------

ORDER NO.	MATERIAL	PLATING
-----------	----------	---------

SCALE 4:1	LOC H	SIZE A	NO C-165416-E	REV 0
--------------	----------	-----------	------------------	----------

DR R. Dimer 3/11-70	DATE	DE	DATE
CHK	DATE	APP [Signature]	DATE 9/11-1970

NAME  
**INSULATED RINGTONGUE for stud M10**

REV B 30-8-85  
DIMENSIONS IN M.M. DO NOT SCALE PRINT